



Unmanaged Rackmount Gigabit Ethernet Switches for Seamless Network Connectivity

The NETGEAR® Gigabit Ethernet Unmanaged Switch series helps businesses cost-effectively expand their rack-mounted network with a higher port count for more connected devices.

On the GS748PP, all PoE ports fully support PoE/PoE+ and feature Dynamic PoE capability that intelligently optimizes power distribution by detecting each device's actual requirements and allocating resources as necessary, rather than solely

based on PoE class reported. Unlike standard PoE that reserves maximum power based only on PoE class reported per port regardless of usage, Dynamic PoE efficiently reallocates unneeded power back to the switch to power up more devices with the same PoE budget. This makes these switches ideal for deploying a wide range of devices like Wireless Access Points, Pan/Tilt/Zoom and fixed IP cameras, VoIP phones,

security door locks, and virtually any IoT PoE-powered device. In addition, these switches redistribute power where it's needed and maximize your network's capacity without wasting energy.

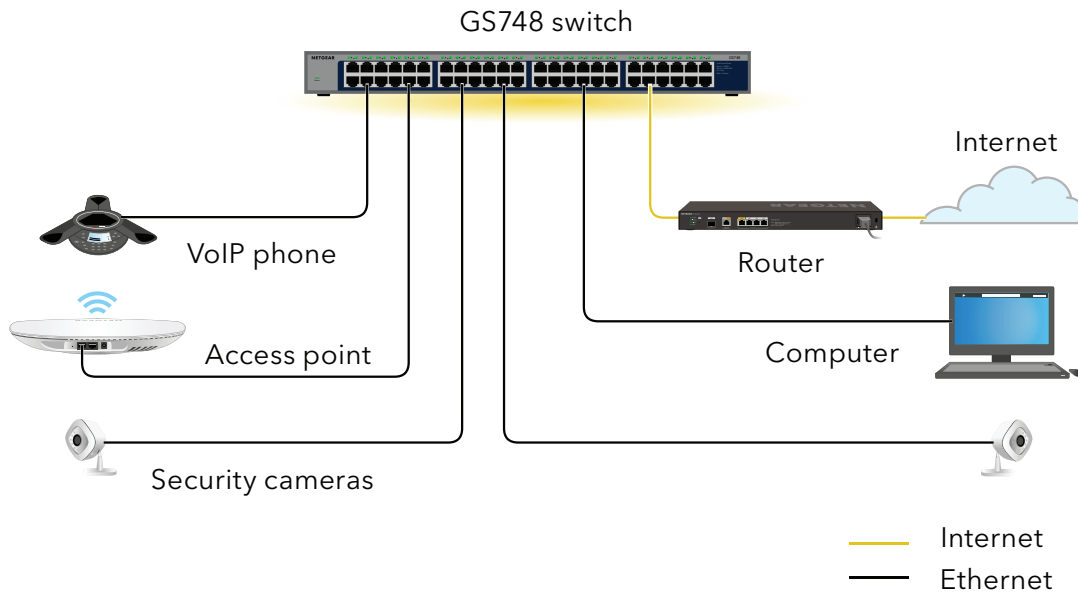
Available with 48 Gigabit copper ports in a durable metal case, these rack-mountable Ethernet switches fit seamlessly on standard 19" racks using the included mounting accessories.

Features and Highlights

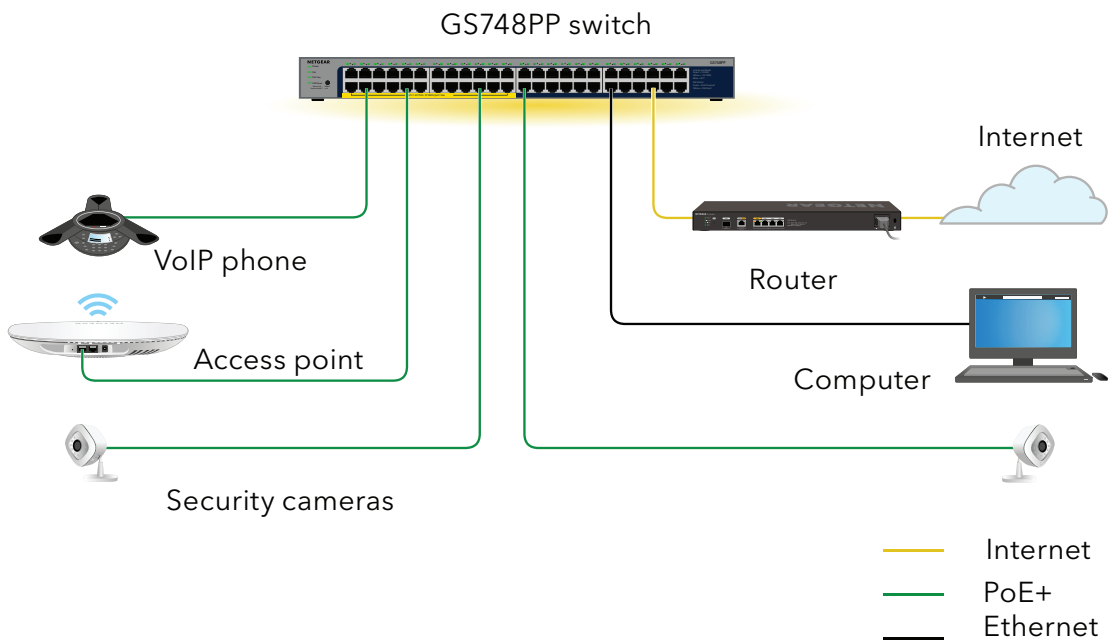
- 48-ports deliver up to 2000 Mbps of dedicated, non-blocking bandwidth per port
- Easily combine new or existing 10-, 100- and 1000 Mbps devices within your network
- 802.1p QoS (CoS) support for prioritizing voice and video in the network
- Jumbo frame support up to 12.8 KB
- 48 switched ports provide 96 Gbps of bandwidth for PCs, servers or switches
- Auto Uplink™ automatically adjusts for straight-through or crossover cables
- Plug-and-play begins working as soon as it is powered on
- Secure, durable metal housing includes a Kensington locking slot for theft prevention
- Limited Lifetime warranty. See terms and conditions for details.
- Optional support tiers to match your operational needs.
- Honors DSCP tags for 802.1p ToS
- Auto power-down mode saves energy when port is unused
- Auto green mode detects cable length and adjusts power usage to save energy
- Packaging manufactured with at least 80% recycled materials

Example Application

GS748 Switch



GS748PP Switch



48-port Gigabit Ethernet Unmanaged Switches

Features	GS748	GS748PP
10/100/1000 Mbps Ports (Auto Uplink)	48	48
Enclosure	Metal	Metal
Connector Type	Metal	Metal
Form Factor	Rackmount/Desktop	Rackmount/ Desktop
LEDs		
Per port	Speed, Link/Activity	Speed, Link/Activity, PoE
Per device	Power	Power, PoE Max, Fan
PoE Configuration		
802.3af PoE Ports	NA	24
802.3at PoE+ Ports	NA	24
PoE Max Power Per Port	NA	30W
Total PoE Power Budget**	NA	380W
Dynamic PoE	NA	Yes
Power Consumption		
DC Input/Power In	Internal (100-240VAC, 50/60Hz, 3A max)	Internal (110-240VAC, 50/60Hz, 8A max)
Power Consumption (Max)	8.81W	410W
Power Consumption (Min)	8.8W	10W
Heat Dissipation (Max and Standby) (BTU/Hr)	718.2BTU/34.2BTU	1402.2BTU/34.2BTU
Performance Specification		
Bandwidth (Non-Blocking)	96 Gbps	96 Gbps
Packet Buffer Memory (Dynamically shared across only used ports)	1.5 MB	1.5 MB
Jumbo Frame Support	9216 bytes	12288 bytes
Queue WRR (Weighted Round Robin) Ratio	1:3:5:7:8:10:12:15	1:3:5:7:8:10:12:15
Forwarding Rate (using 64-byte packets) 1000Mbps Port	< 4 µsec	< 4 µsec
Latency (using 64-byte packets) - 1000Mbps Port (average)	< 4 µsec	< 4 µsec
MAC Address Table Size	8K	8K
Auto MDI/MDI-X Cable Detection	Yes	Yes
Auto-sensing Half/Full Duplex Switched Ports	Yes	Yes
Mean Time Between Failures (MTBF) @ 25° C	124.9 years	65 years
Acoustic Noise Level @25C (dBA)	0dB	36dB

48-port Gigabit Ethernet Unmanaged Switches

Quality of Service (QoS)	GS748	GS748PP
802.1P Based (CoS) Supported	Yes	Yes
Honors DSCP (DiffServ) Tags	Yes	Yes
Energy Efficiency		
Energy Efficient Ethernet (EEE) IEEE 802.3az compliant	Yes	Yes
Auto Power Down	Yes	Yes
Short Cable Detection	No	Yes
Fan/Fanless	Fanless	2 Fans
Environmental Specifications		
Operating Temperature	0° to 50° C (32° to 122° F)	0° to 50° C (32° to 122° F)
Humidity	10%–90% relative humidity, noncondensing	
Altitude	3000 M	3000 M
Storage Temperature	-20° to 70°C (-4° to 158°F)	
Humidity (relative)	10%~95%, non-condensing	
Physical Specifications		
Dimensions (W x D x H)	440 x 204 x 43 mm (17.3 x 8 x 1.7 in)	440 x 310 x 43 mm (17.3 x 12.2 x 1.7 in)
Weight	3.2 kg (7.0 lbs)	4.6 kg (10.1 lbs)
Electromagnetic Emissions and Immunity		
Certifications	CE Mark, FCC Part 15 Class A, IC Class A, RCM, VCCI, KC	CE Mark, FCC Part 15 Class A, IC Class A, RCM, VCCI, KC
Safety Certifications	CB, CE LVD,	CB, CE LVD, UL
IEEE Network Protocols		

- IEEE 802.3ab 1000BASE-T Gigabit Ethernet
- IEEE 802.3u 100BASE-TX Fast Ethernet
 - IEEE 802.3i 10BASE-T Ethernet
- 802.3az Energy Efficient Ethernet
 - IEEE 802.3x Flow Control
 - IEEE 802.1p Priority
 - IEEE 802.3 CSMA/CD

48-port Gigabit Ethernet Unmanaged Switches

Warranty and Support *	GS748	GS748PP
Hardware Limited Warranty	NETGEAR Enterprise Limited Lifetime* Warranty	
Technical Support	Sprint support option with 24/5 Technical Support (phone, online) and Advance RMA Replacement Overdrive support option with 24/7 Technical Support (phone, online, 2h SLA) and Next Business Day RMA Replacement Visit https://www.netgear.com/enterprise-support for more information	
Premium Support Service Packs	Sprint SPR-GS748-12 SPR-GS748-36 SPR-GS748-60 Drive DRV-GS748-12 DRV-GS748-36 DRV-GS748-60	Sprint SPR-GS748PP-12 SPR-GS748PP-36 SPR-GS748PP-60 Drive DRV-GS748PP-12 DRV-GS748PP-36 DRV-GS748PP-60
Package Contents	Unmanaged Gigabit Ethernet switch	Unmanaged PoE++ Gigabit Ethernet switch
	Power cord localized to the country of sale	Power cord localized to the country of sale
	Rackmount kit	Rackmount kit
	Rubber footpads for desktop installation	Rubber footpads for desktop installation
	Documentation download flyer	Documentation download flyer
Ordering Information		
GS748		
GS748-100NAS	North America and Latin America	
GS748-100EUS	Europe and United Kingdom	
GS748PP		
GS748PP-100NAS	North America and Latin America	
GS748PP-100EUS	Europe and United Kingdom	

Actual SKU availability may vary per region. Please check the local website for product availability.

*This product comes with a limited warranty that is valid only if purchased from a NETGEAR authorized reseller, and modifications to product may void the warranty; see <http://www.NETGEAR.com/about/warranty/> for details. 24/7 basic technical support provided for 90 days from purchase date when purchased from a NETGEAR authorized reseller.

NETGEAR and the NETGEAR Logo are trademarks and/or registered trademarks of NETGEAR, Inc. and/or its subsidiaries in the United States and/or other countries. Other brand names mentioned herein are for identification purposes only and may be trademarks of their respective holder(s). ©2025 NETGEAR, Inc. All Rights reserved.

NETGEAR, Inc., 1-888-NETGEAR (638-4327), E-mail: info@NETGEAR.com, www.NETGEAR.com

DS-GS748/GS748PP-02Apr26